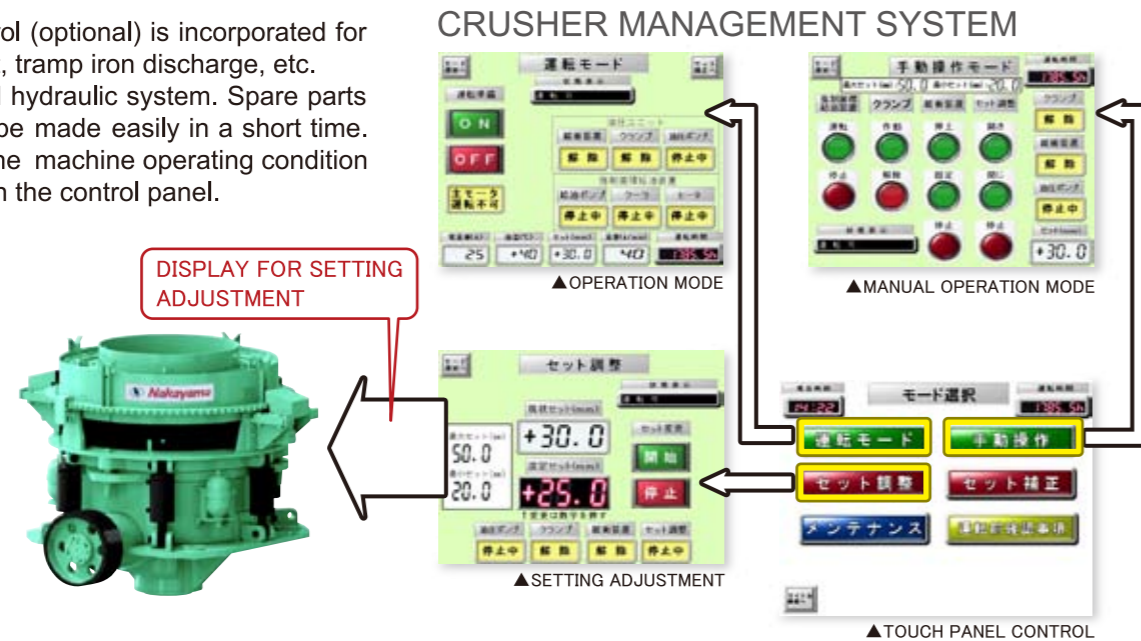
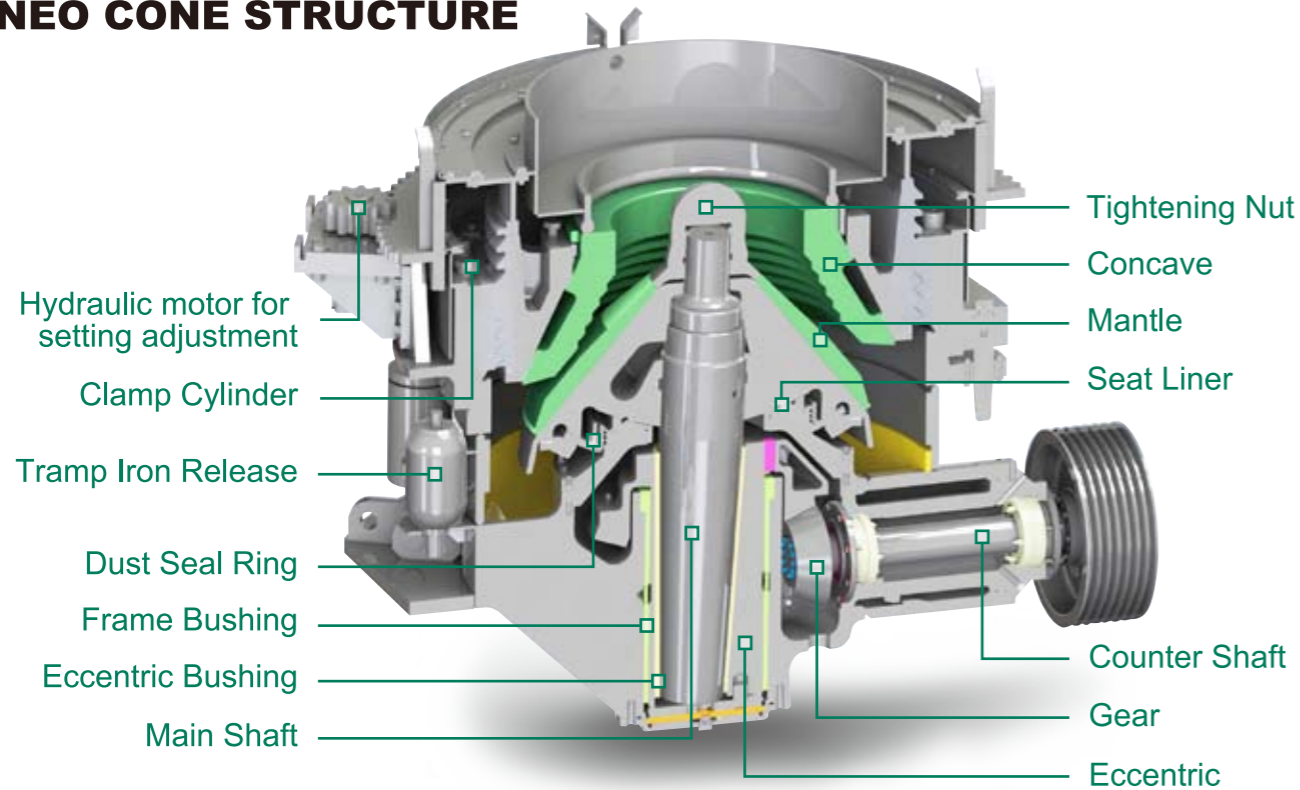


## 5. EASY OPERATION (Touch panel is optional)

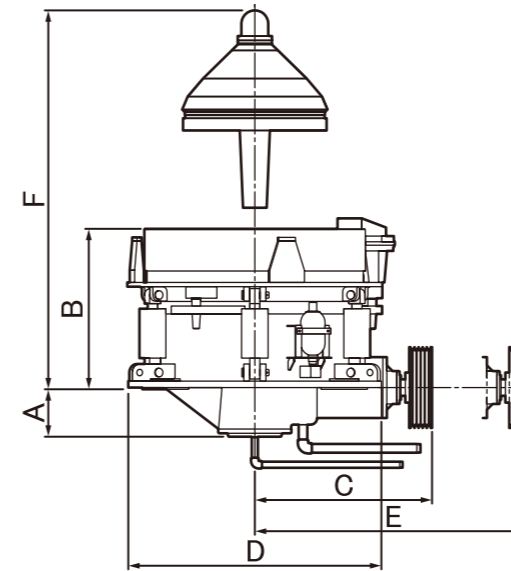
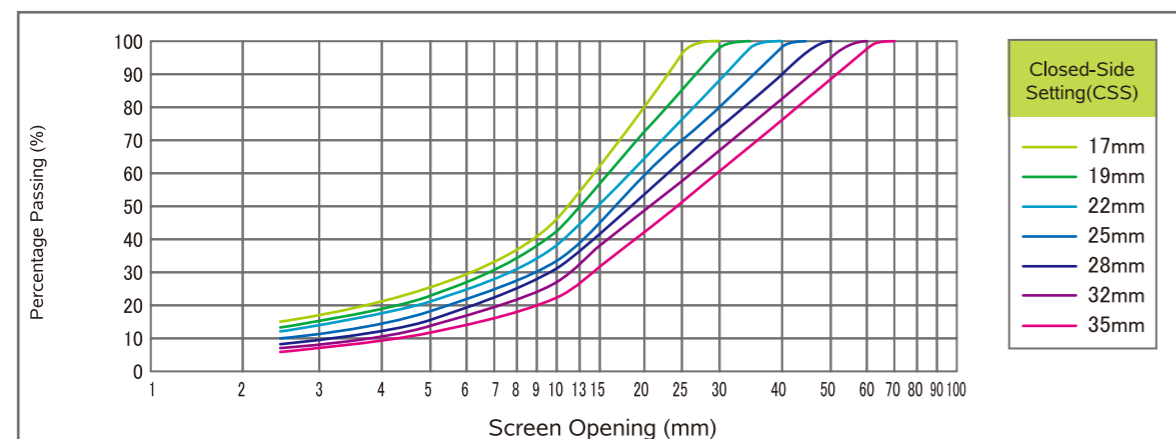
Touch panel control (optional) is incorporated for setting adjustment, tramp iron discharge, etc. with the advanced hydraulic system. Spare parts replacement can be made easily in a short time. You can check the machine operating condition and record data on the control panel.



## NEO CONE STRUCTURE



## CRUSHING GRADATION CURVES



## EXTERNAL DIMENSIONS

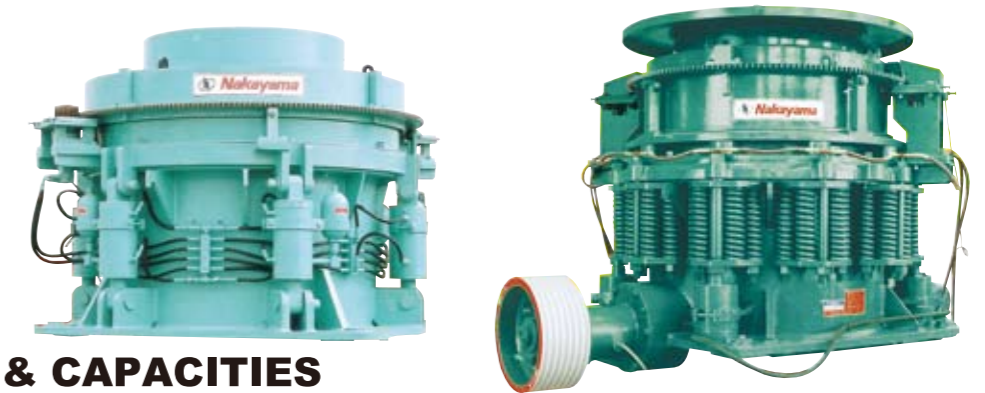
Model	External Dimension (mm)					
	A	B	C	D	E	F
NSC200	330	1350	1240	1770	1950	2800
NSC300	400	1590	1480	2150	2410	3250

## SPECIFICATIONS & CAPACITIES

Model	Max. Feed Size T×W×L (mm)	Motor Power (kW)	Capacity (TPH) at Closed-Side Setting (CSS) (mm)							Weight (t)
			17	19	22	25	28	32	35	
NSC200E	150×200×300	110~150	-	-	180~210	200~235	215~255	235~280	250~295	12.0
NSC200C	120×160×240	110~150	125~155	145~175	165~195	180~215	195~230	215~250	225~265	12.0
NSC200M	90×125×180	110~150	110~135	125~155	145~170	160~190	170~200	-	-	12.0
NSC300C	180×230×350	180~225	-	-	210~250	230~280	245~300	265~320	280~335	18.7
NSC300M	140×200×280	180~225	-	190~220	205~240	225~260	240~280	255~300	-	18.7

Capacity varies depending on the characteristic, size and gradation of the feed material.  
In order to keep our policy of continuous development, specifications are subject to change without notice.

## STANDARD CONE CRUSHERS



## SPECIFICATIONS & CAPACITIES

Model	Feed opening × Mantle Diameter (mm)	Max. Feed Size T×W×L (mm)	Motor Power (kW)	Capacity (TPH) at Discharge Setting (CSS) (mm)										Weight (t)
				16	18	20	23	25	30	35	40	45	50	
NEC40H	205×1000	100×140×200	90 ~ 110	120	135	150	160	170	190	215	235	-	-	10.8
NEM40H	130×1000	75× 85×125	90 ~ 110	105	120	135	142	150	165	-	-	-	-	10.8
NEC45H	220×1100	105×150×215	110 ~ 150	-	-	160	175	200	230	258	285	-	-	14.8
NEM45H	150×1100	75×100×145	110 ~ 150	125	132	140	160	175	195	-	-	-	-	14.8
NEC54H	250×1370	125×175×250	132 ~ 190	-	-	-	-	260	290	320	350	390	440	25.5
NEM54H	150×1370	75×105×150	132 ~ 190	-	160	180	200	225	260	290	-	-	-	25.5
NEC60H	305×1520	150×210×300	190 ~ 250	-	-	-	-	310	340	375	415	460	520	38.5
NEM60H	180×1520	100×125×175	190 ~ 250	-	-	-	235	265	300	320	350	-	-	38.5

Capacity varies depending on the characteristic, size and gradation of the feed material.  
In order to keep our policy of continuous development, specifications are subject to change without notice.