

AUTOMOBAL SCREEN

MS4E



FEATURES

Outstanding mobility

Equipped with newly developed NHS vibrating screen

Equipped with super-low noise generator

Efficient screening operation through electrically driven motor.



In operation

APPLICATIONS

Asphalt/Concrete wastes

Soil rehabilitation in construction and demolition sites



In association with mobile crushing equipments

Compact size for transportation

NAKAYAMA IRON WORKS, LTD.



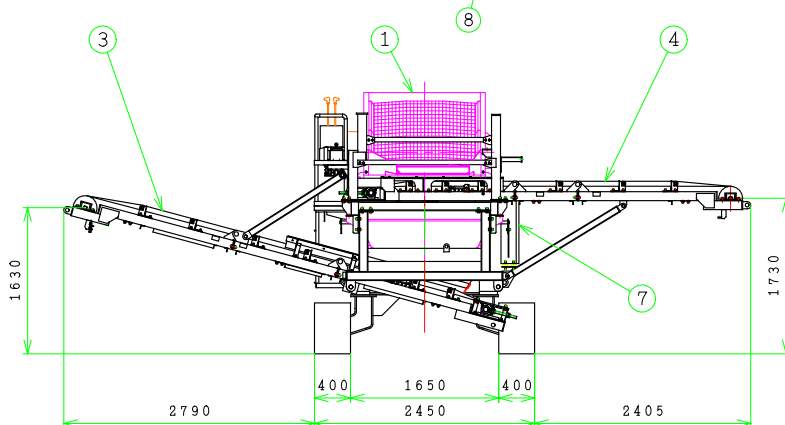
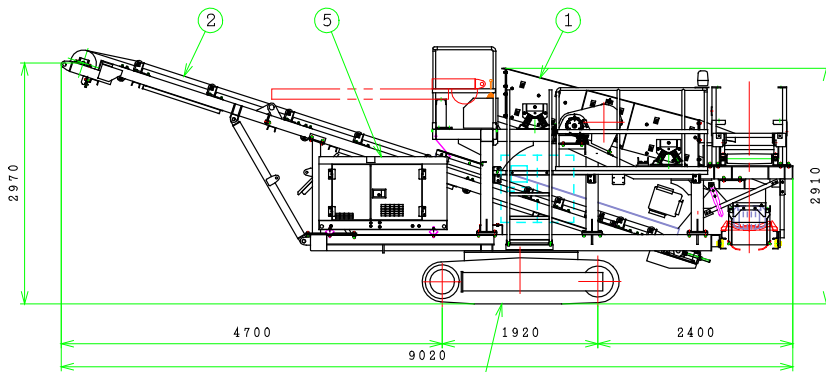
AUTOMOBAL SCREEN MS4E

**Best suited screen for mobile crushers
in demolition sites !**

Folding conveyors ease the transportation (compact size)

Can be transported using a 10ton self-unloader.

**Optional: Generator of higher capacity to support
conveyors in the case of mobile plants.**



Transportation



In Operation



In Association

Model	NHS Screen		Number of decks	Maximum feed size (mm)	Capacity (t/h)	Weight (t)
	Model	Screen Size W x L (mm)				
MS4E	NHS482	1200 x 2400	2	100	80-180	9

Names and Specifications			Names and Specifications	
Screen	NHS482	3.7 kW Electric driven	Generator	25 KVA
Belt Conveyor	600W x 7700L mm	3.7 kW (foldable)	Hydraulic unit	5.5 kW x 2
Belt Conveyor	500W x 4600L mm	2.2 kW (foldable)	Control panel	
Belt Conveyor	500W x 4000L mm	2.2 kW (foldable)	Undercarriage	

The processing performance varies depending on the feed rate as well as the characteristics, size and gradation of the feed material. In order to keep our policy of continuous development, specifications are subject to change without notice

 **NAKAYAMA IRON WORKS, LTD.**

2246-1 Amagu, Asahimachi, Takeo City, Saga Pref. 843-0001 JAPAN

<http://www.nakayamairon.co.jp>

TEL: (81)954-22-4171 FAX: (81)954-23-0691

E-mail Address: export@nakayamairon.co.jp

SAGA-TOKYO-OSAKA-NAGOYA-SINGAPORE

NAKAYAMA CRUSHING SERVICES (S) PTE LTD.

1B Simei street 3, #10-11 Eastpoint Green, Singapore 529890

TEL/FAX: (65) 6222-3538

E-mail address: ncss1997@mbox1.ntti.net.sg