



MC240G

CRAWLER MOUNTED MINI CRUSHER

FEATURES

- Equipped with the job-proven AC2415 jaw crusher
- Grizzly feeder increases overall production
- Automatic feed control system
- Easy to feed the materials from the front and from both sides
- Foldable main BC ensuring an increased stockpiling capacity
- Fully equipped mini-crusher
- Eco-friendly: low noise and vibration levels

APPLICATIONS

- Concrete/Asphalt wastes
- Demolition and construction sites



※In case of overload such as with asphalt, the crusher is design to slow down or stop for the protection of the engine and hydraulic system.

MC240G

CRAWLER MOUNTED MINI CRUSHER



FULLY-EQUIPPED MINI JAW CRUSHER

- Automatic feed control system
- Reverse crusher rotation
- Grizzly undersize conveyor
- 2-stage air cleaner
- Overload protection with warning light
- Powerful magnetic separator (150 gauss)
- One-touch setting adjustment system
- Water spray for dust suppression
- Diversion chute for Grizzly under size product (towards the main conveyor or the side conveyor)

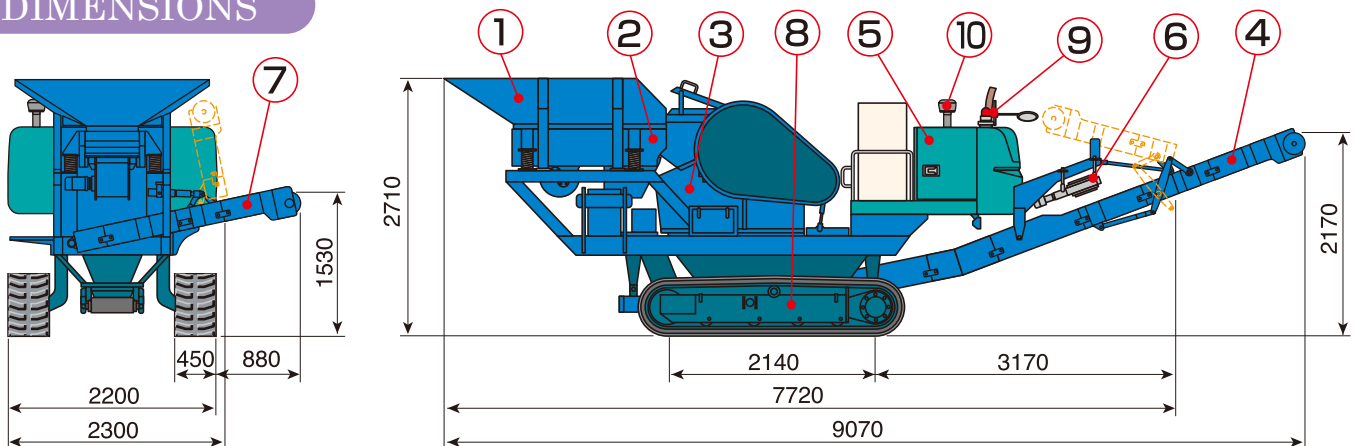


The MC240G is fully equipped with features such as grizzly feeder, automatic feed control system, overload protection device, and a powerful 55PS diesel engine that enhance its performance and make the maintenance easy. It is the most efficient, full-spec crawler mounted jaw crusher in this size range.

PART NAMES

- ① Feed hopper ② Grizzly feeder ③ Jaw crusher ④ Foldable main belt conveyor
 ⑤ Engine & Hydraulic unit ⑥ Magnetic separator ⑦ Grizzly undersize conveyor
 ⑧ Undercarriage ⑨ Warning light for overload protection device
 ⑩ Pre-cleaner (2-stage air cleaner)

DIMENSIONS



SPECIFICATIONS

Model	AC Jaw crusher		Grizzly Feeder		Capacity (t/h)	Max. Feed Size (mm)	Engine Output (kW/min ⁻¹)	Tank Fuel/Hyd Fluid (l)	Magnetic Force (mT)	Drive	Weight (t)
	Model	Feed Opening Size(mm)	Model	Trough Size(mm)							
MC240G	AC2415	370×600	GFTH616H	600×1600	15-50	265×330×600	40.5/2100	135/93	15.6	Hydraulic	10.8

□ In order to keep our policy of continuous development, specifications are subject to change without notice



NAKAYAMA IRON WORKS, LTD.

2246-1 Amagu, Asahimachi, Takeo City, Saga Pref. 843-0001 JAPAN

<http://www.nakayamairon.co.jp>

TEL: (81)954-22-4171 FAX: (81)954-23-0691

E-mail Address: export@nakayamairon.co.jp

SAGA-TOKYO-OSAKA-NAGOYA-SINGAPORE

NAKAYAMA CRUSHING SERVICES (S) PTE LTD.

1B Simei street 3, #10-11 Eastpoint Green, Singapore 529890

TEL/FAX: (65) 6222-3538

E-mail address: ncss1997@mbox1.ntti.net.sg