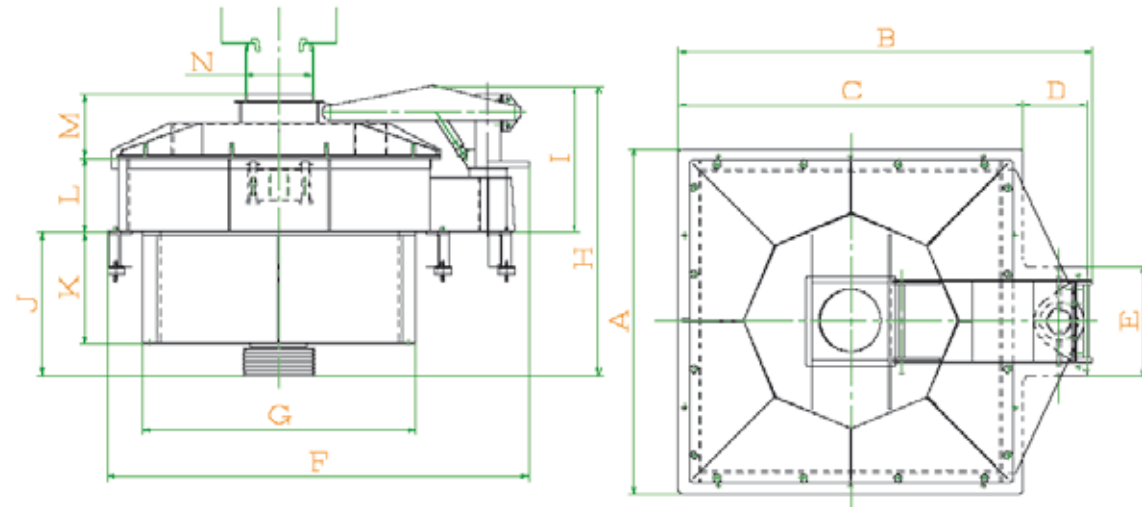




■ DIMENSIONS



	A	B	C	D	E	F	G	H	I	J	K	L	M	N
SR 50C	1850	2390	1850	540	500	2454	1502	1535	785	752	535	530	266	407
SR 80C	2300	2952	2350	555	700	3023	1924	2110	1190	920	710	600	590	457
SR100C														
SR120C	2990	3586	2990	550	950	3348	2368	2512	1275	1237	957	650	554	559

(mm)

■ SPECIFICATIONS

MODEL	CRUSHING TYPE	ROTOR SIZE (Φ × H) (mm)	MAX FEED SIZE (mm)	WEIGHT(ton)
SR50C(D)	Rock-on-rock	Φ 760 × 175	65	4.0
SR50C(A)	Rock-on-metal	Φ 760 × 175	35	4.5
SR80C(D)	Rock-on-rock	Φ 760 × 245	65	9.5
SR80C(A)	Rock-on-metal	Φ 760 × 245	35	11.5
SR100C(D)	Rock-on-rock	Φ 1000 × 300	75	10.0
SR100C(A)	Rock-on-metal	Φ 1000 × 300	45	12.0
SR120C(D)	Rock-on-rock	Φ 1200 × 340	85	12.0
SR120C(A)	Rock-on-metal	Φ 1200 × 340	50	14.0

Note:

Due to our policy of continuous development and improvement, specifications are subject to change without notice.



Reversible, Open-rotor, Vertical-Shaft Impact Crusher for more fines and better product shape

OUTSTANDING FEATURES

- Reversible rotation cuts down parts replacement downtime.
- Open type rotor with sufficient rotor height and passage cause no blocking of feed material.
- Assembled (sectionalized) rotor made up of components for easy parts replacement.
- Hydraulic top cover opener for easy servicing.
- Two types of crushing chamber are available:
 - Type "D" = Rock-on-rock for better product shape
 - Type "A" = Rock-on-metal for finer gradation
- Vibration sensor to detect excessive vibration.

NAKAYAMA IRON WORKS, LTD.

■ HEAD OFFICE / OVERSEAS TRADE SECTION

Asahimachi, Takeo City, Saga Pref. 843-0001 JAPAN
 TEL: (81)954-22-4171 FAX: (81)954-23-0691
 E-mail Address: export@nakayamairon.co.jp

■ TOKYO BRANCH OFFICE / OVERSEAS TRADE SECTION

310 Kyodo Bldg., 6-12 Kayabacho 1-Chome, Nihonbashi, Chuo-Ku, Tokyo 103-0025 JAPAN
 TEL: (81)3-3668-0761 FAX: (81)3-3666-7528

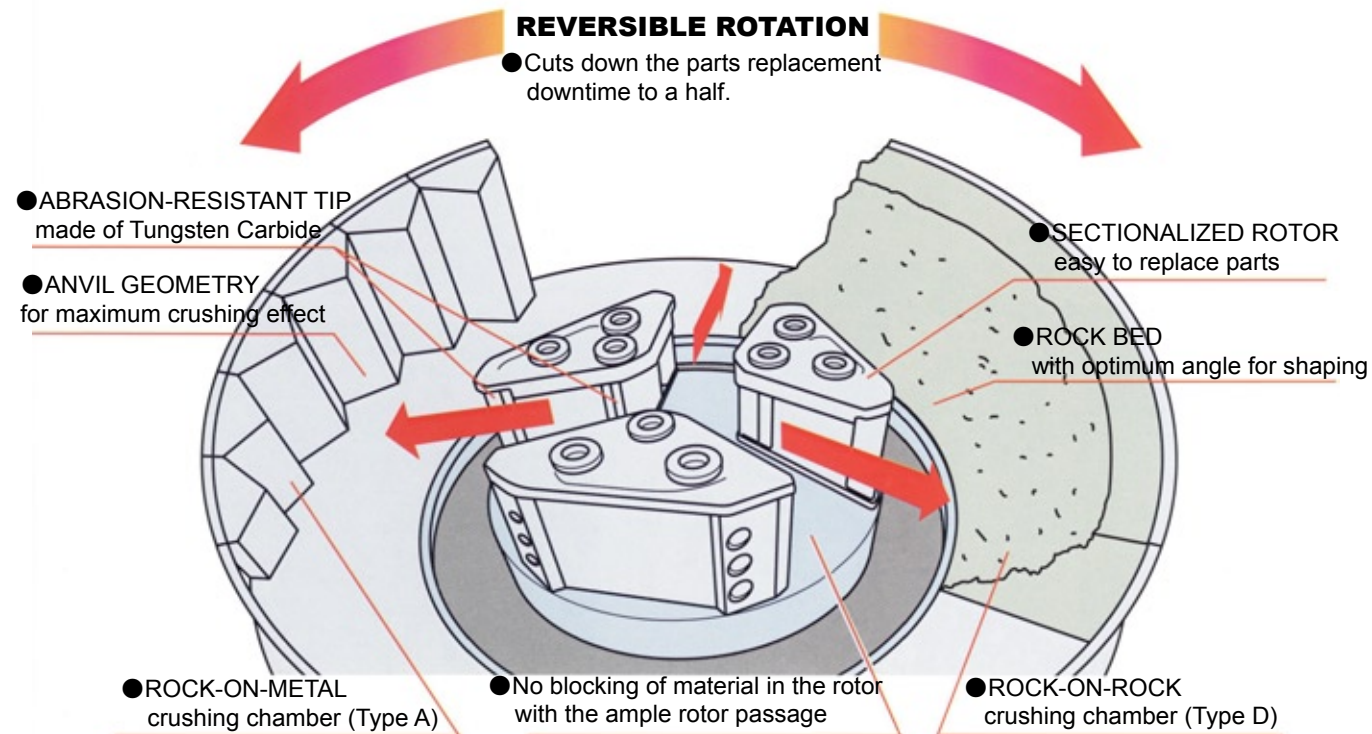
■ NAKAYAMA CRUSHING SERVICES (S) PTE LTD.

1B Simei street 3, #10-11 Eastpoint Green, Singapore 529890
 TEL/FAX: (65) 6222-3538
 E-mail address: ncsc1997@mbox1.ntti.net.sg

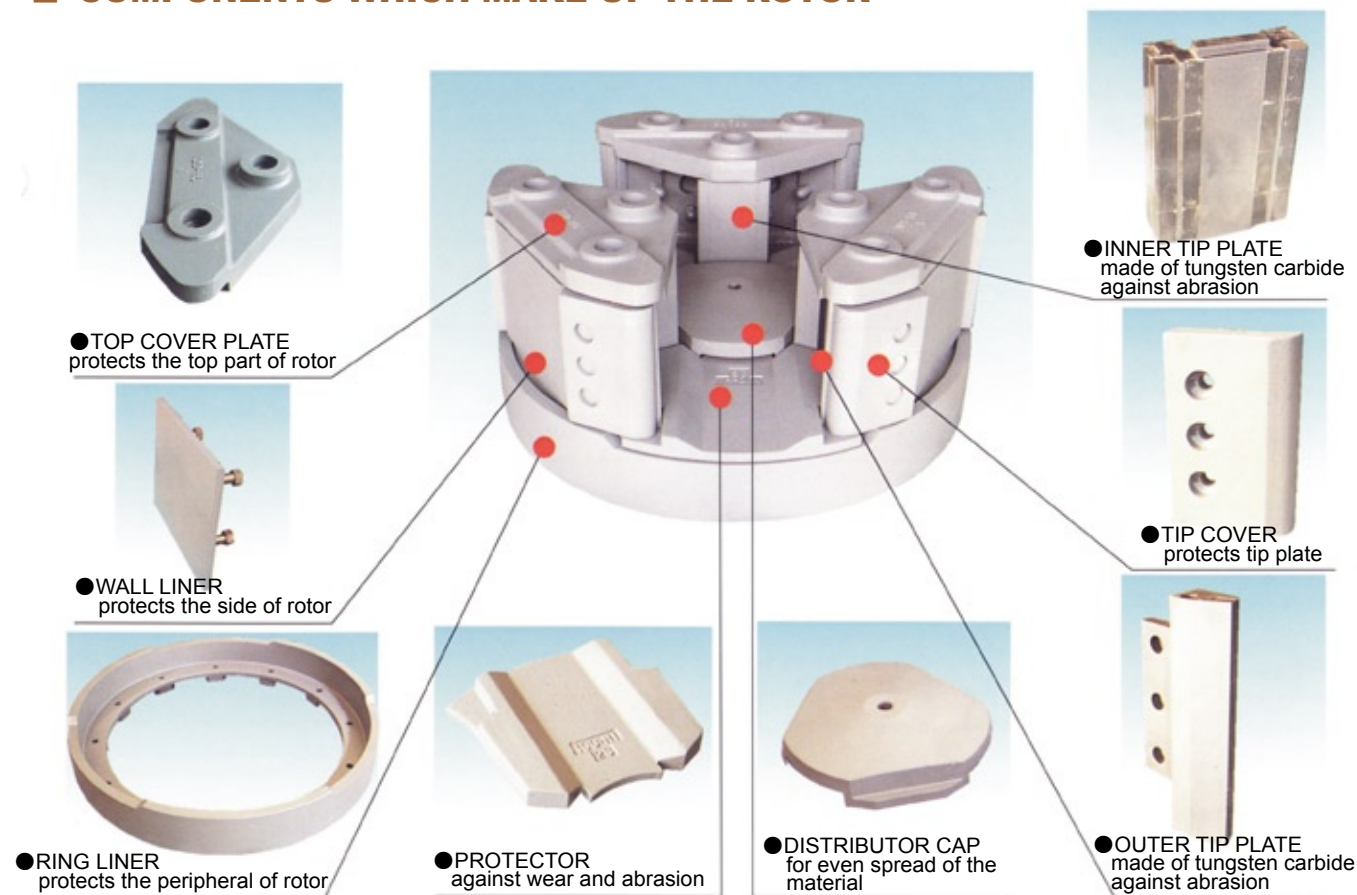
NAKAYAMA IRON WORKS, LTD.

SR GYROPACTOR

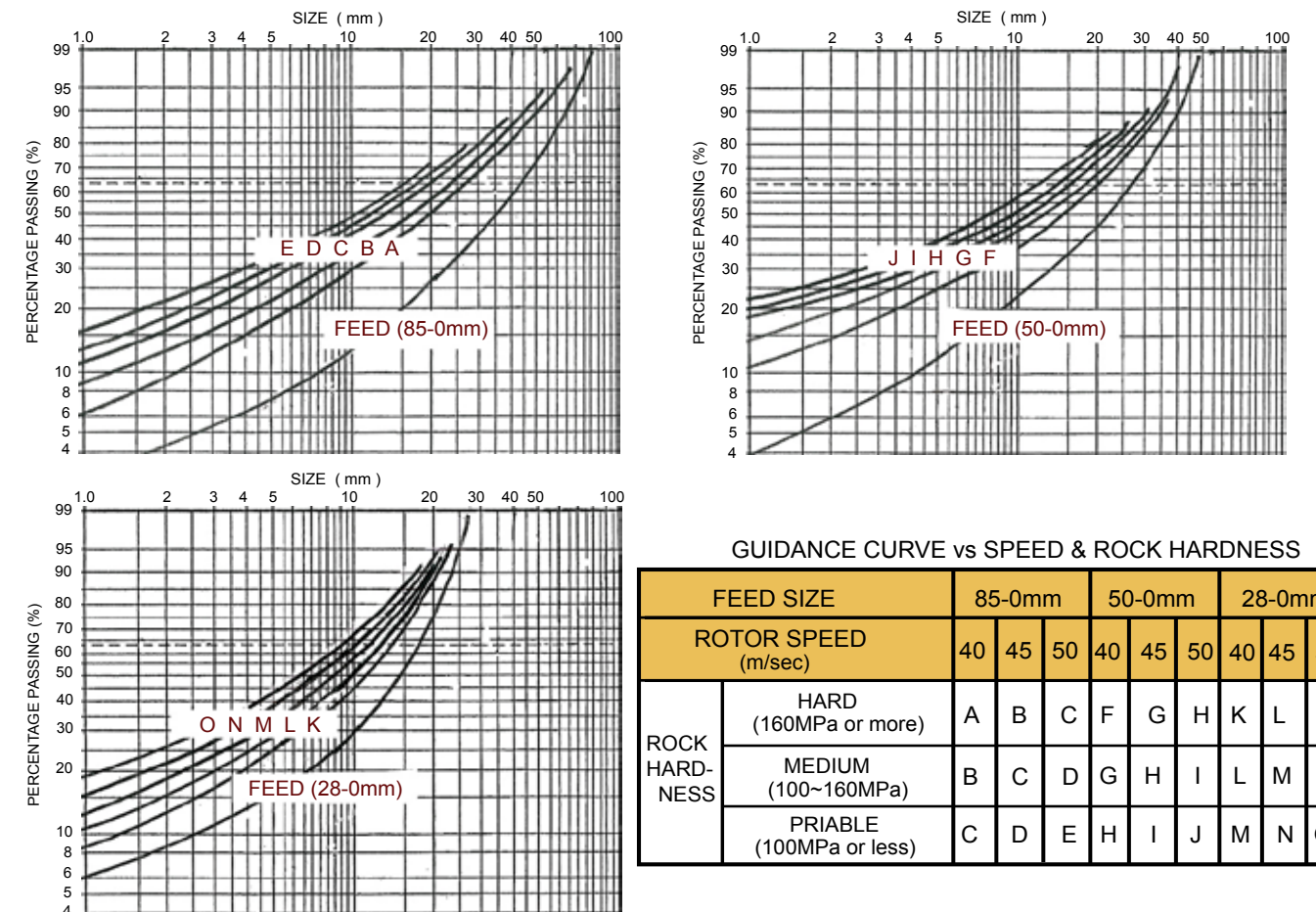
REVERSIBLE, OPEN TYPE ROTOR



COMPONENTS WHICH MAKE UP THE ROTOR



GUIDANCE CURVES



CAPACITY / MOTOR REQUIREMENT (Based on Type D, Rock-on-rock crushing)

MODEL	ROTOR SPEED	MOTOR POWER (KW)												
		45	55	75	90	110	132	150	190	220	250	300	350	400
SR 50C	40 m/s	50	60	80										
	45 m/s	40	50	65										
	50 m/s	35	40	60	70	85								
SR 80C	40 m/s		70	100	120	140								
	45 m/s				100	120	140	160						
	50 m/s					100	120	135	170					
SR 100C	40 m/s					180	215	245	310					
	45 m/s					145	175	200	250	290				
	50 m/s						135	150	190	220	250			
SR 120C	40 m/s							255	325	375	425			
	45 m/s								260	300	340	410	470	540
	50 m/s								245	280	335	390	445	

Note: 1) Capacity in red figures requires slip-ring motor.
 2) Optional rotor top plate is available for faster speed range between 50-60m/sec.
 3) Motor shall be VERTICAL type.
 4) Capacity is based on the continuous feed of andesite having a specific gravity of 2.6.
 5) The capacity varies depending on the material - size, hardness, toughness and moisture content and the feeding method.

UNIT: TPH (ton per hour)