



CRAWLER-MOUNTED CRUSHER

NC420GXC



Suitable for crushing operations at large-scale demolition sites and quarries

FEATURES

- Equipped with new type jaw crusher AC4220B suitable for asphalt/concrete and also rock crushing.
- Larger capacity(50-250TPH)in this crusher size.
- Finger-tip hydraulic setting adjustment in a few minutes for minimum downtime.
- Foldable grizzly undersize conveyor.
- Sufficient power to supply additional hydraulic lines for optional equipment (1×Screen+2×Conveyor)
- Automatic operation (automatic feeding system) as standard.
- Easy feeding from 3 directions (front and both sides)
- Full-hydraulic drive system for easy operation and maintenance.



NAKAYAMA IRON WORKS, LTD.



NC420GXC

CRAWLER-MOUNTED CRUSHER

The NC420GXC is equipped with the job-engineered AC4220B powerful jaw crusher that is robust enough to crush rocks as well as asphalt and concrete wastes.

● PRIMARY CRUSHING AT QUARRY FACE

It can produce block stones.

● QUICK SETTING ADJUSTMENT

Finger-tip hydraulic setting adjustment in a few minutes for minimum downtime.

● WIRELESS FEEDER CONTROL

Feeder remote control to maximize production.

● ENGINE POWER BOOST

Automatic Power boost in case of peak load.

● EASY PARTS REPLACEMENT

Easy jaw plate and cheek plate replacement for minimum downtime.

● JAW PLATE VARIATION

Two types of jaw plates are available; for recycling and for rocks.

● VARIABLE CRUSHER SPEED

Crusher speed is adjustable to run at optimum crushing speed depending on the feed material.

● CRUSHER REVERSE ROTATION

For crushing difficult materials and re-starting with the material between the jaws.

● POWERFUL MAGNETIC SEPARATOR

Magnetic separator to separate and discharge steel scraps on either side of the conveyor.

● AUTOMATIC SHUTDOWN

Automatic stopping system to protect engine from over load.

● WARNING LIGHT

In case of emergency or abnormal operating conditions, warning lamp turns on.

● 2-STAGE AIR CLEANER

For protection of engine from dust.

● WATER SPRAY

For dust suppression (water supply by the customer)

● SAFETY

5 emergency stop switches for safety.

● LOW-NOISE ENGINE

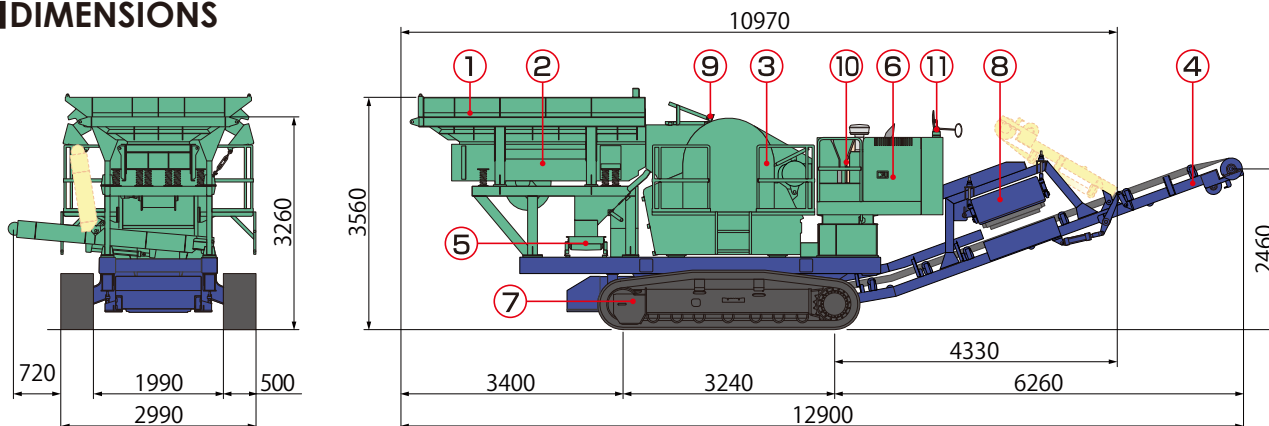


Control panel

■ PART NAMES

- | | | | |
|--------------------------------|------------------------------|--------------------|------------------------|
| (1) Feed hopper | (2) Grizzly vibrating Feeder | (3) AC Jaw Crusher | (4) Main belt conveyor |
| (5) Grizzly undersize conveyor | (6) Engine, hydraulic etc | (7) Undercarriage | (8) Magnetic separator |
| (9) Water spray | (10) Control Panel | (11) Warning light | |

■ DIMENSIONS



■ SPECIFICATIONS

Model	AC Jaw Crusher		Grizzly Feeder		Capacity (t/h)	Max.Feed Size H×W×L(mm)	Engine Output (kW/min ⁻¹)	Tank Fuel/Hyd Fluid(t)	Gross Weight (t)	Drive
	Model	Feed Size(mm)	Model	Trough W×L(mm)						
NC420GXC	AC4220B	500×1050	GVFH1030H	1000×3000	30 ~ 250	450×800×1000	125/2050	320/190	35	Hydraulic

■ Capacity varies depending on the characteristic, size and gradation of the feed material. ■ Asphalt crushing needs wider discharge clearance. Engine can automatically stop for protection. ■ In order to keep our policy of continuous development, specifications are subject to change without notice.



Kindly refer to the operation and maintenance manual for safe use of this machine.



NAKAYAMA IRON WORKS, LTD.

2246-1 Amagu, Asahi-machi, Takeo City, Saga Pref., 843-0001, Japan

Tel : 0954-22-4171 Fax : 0954-23-0691

<http://www.nakayamairon.co.jp>

E-mail Address: export@nakayamairon.co.jp

SAGA-TOKYO-OSAKA-NAGOYA-SINGAPORE

NAKAYAMA CRUSHING SERVICES(S) PLE

1B SIMEI STREET 3,#10-11 EASTPOINT GREEN,SINGAPORE 529890

Tel : (65)6222-3538 Fax : (65)6222-3538

E-mail Address: ncss1997@mbox1.ntti.net.sg