

CRAWLER-MOUNTED CRUSHER NC360GXC



AUTO MOBAL CRUSHER

The NC360GXC is equipped with a new generation of low profile jaw crusher NJ3622, designed on the basis of our well - proven crushing technology.

Suitable for primary crushing of rocks, as well as concrete and asphalt wastes, with unparalleled performance.

Overall, the NC360GXC is a simple and rugged design with ample safety measures and easy maintenance.

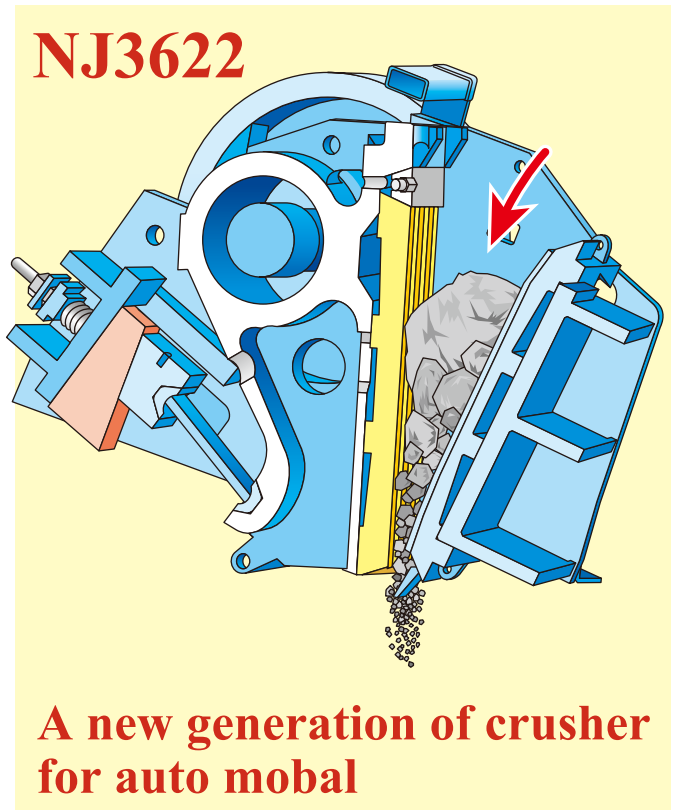


NAKAYAMA IRON WORKS, LTD.



NC360GXC

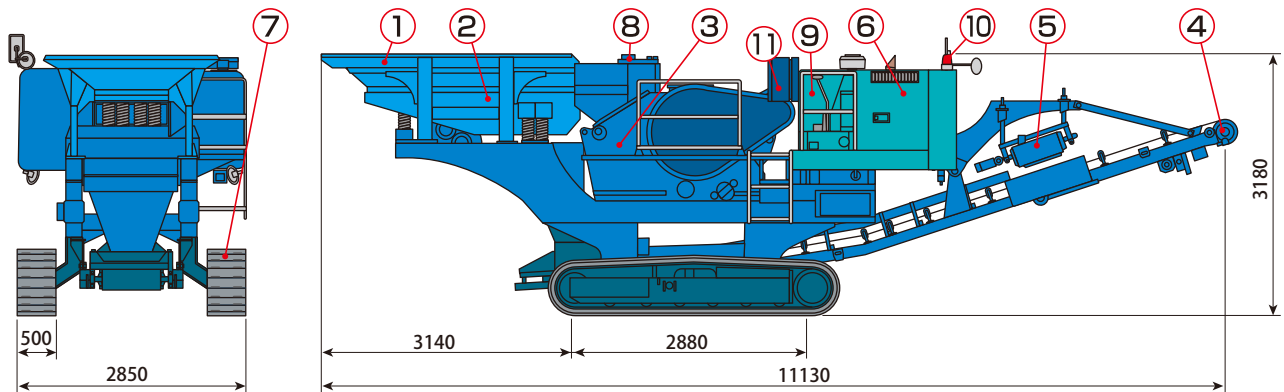
- Low noise engine equipped with a 2-stage air cleaner for dust protection.
- Crusher reverse rotation and automatic re-starting system for materials difficult to process.
- Automatic wireless feeder control system to run at maximum productivity.
- Automatic stopping systems to protect engine from over load.
- 4 emergency stop switches for safety.
- Adjustable crusher speed (dial system), for optimum efficiency, depending on the raw material.
- Finger - tip hydraulic setting adjustment system for minimum downtime.
- Warning light for emergency and abnormal operating conditions.
- Efficient magnetic separator with discharge gate on either side of the conveyor.
- Quick hydraulic setting adjustment in a few minutes.
- Water spay device for dust suppression.



■ PARTS NAMES

- ① Feed hopper ② Grizzly vibrating feeder ③ NJ Jaw Crusher ④ Main belt conveyor
 ⑤ Magnetic Separator ⑥ Engine, hydraulic etc ⑦ Undercarriage ⑧ Water spray
 ⑨ Control Panel ⑩ Warning light ⑪ Control Panel

■ DIMENSIONS



■ SPECIFICATIONS

Model	NJ Jaw Crusher		Grizzly Feeder		Capacity (t/h)	Max.Feed Size H×W×L(mm)	Engine Output (kW/min)	Tank Fuel/Hyd Fluid(L)	Gross Weight (t)	Drive
	Model	Feed Size(mm)	Model	Trough W×L(mm)						
NC360GXC	NJ3622	550×900	GFTH930	900×3000	900×3000	450×50×750	125/2050	320/190	25.9	Hydraulic

■ Capacity varies depending on the characteristic, size and gradation of the feed material. ■ Asphalt crushing needs wider discharge clearance. Engine can automatically stop for protection.
 ■ In order to keep our policy of continuous development, specifications are subject to change without notice.

Kindly refer to the operation and maintenance manual for safe use of this machine.

NAKAYAMA IRON WORKS, LTD.

2246-1 Amagu, Asahi-machi, Takeo City, Saga Pref., 843-0001, Japan

Tel : 0954-22-4171 Fax : 0954-23-0691

<http://www.nakayamairon.co.jp>

E-mail Address: export@nakayamairon.co.jp

SAGA-TOKYO-OSAKA-NAGOYA-SINGAPORE

NAKAYAMA CRUSHING SERVICES(S) PLE

1B SIMEI STREET 3,#10-11 EASTPOINT GREEN,SINGAPORE 529890

Tel : (65)222-3538 Fax : (65)222-3538

E-mail Address:ncss1997@mbox1.ntti.net.sg